

D006E MK2 24V INTEGRATED AC UNIT

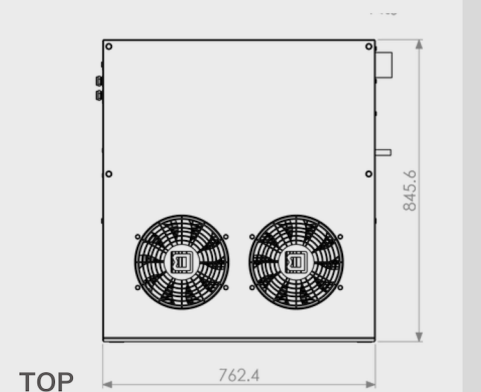
Self-contained, roof-mounted AC unit engineered to provide efficient ventilation and cooling for heavy-duty vehicles.

SYSTEM SPECIFICATIONS:

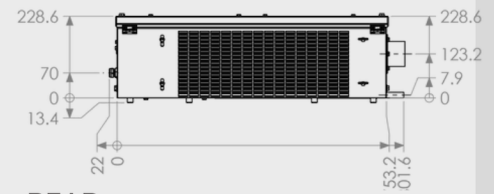
- **Cooling Capacity:** 3.5 kW (ISO 5151, T3)
- **Refrigerant:** R135a
- **Supply Air Flow Rate:** 0.23 m³/s
- **Power Supply:** 24 VDC
- **Current Draw:** 108 A
- **Mass:** 75 kg
- **Overall Size:** 846L x 762W x 229H (mm)

SYSTEM DESCRIPTION:

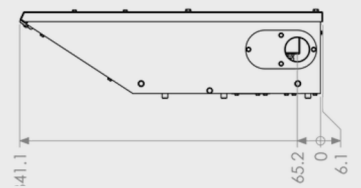
- Rugged, compact, self-contained AC unit with integrated 24VDC, brushless, scroll compressor.
- Internal fascia plate
 - Control panel with ventilation/cooling modes, 3 fan speeds and refrigerant fault light
 - Adjustable supply air louvers
 - Washable, reusable, easy to access return air filter
- Powder coated, 2 mm, mild steel fabrication for durability under harsh environmental conditions
- Option for add-on fresh air unit/pressuriser for dusty environments
- Easy installation with replacement parts readily available
- Cooling, ventilation and heating version available – D006EG Mk2 24V



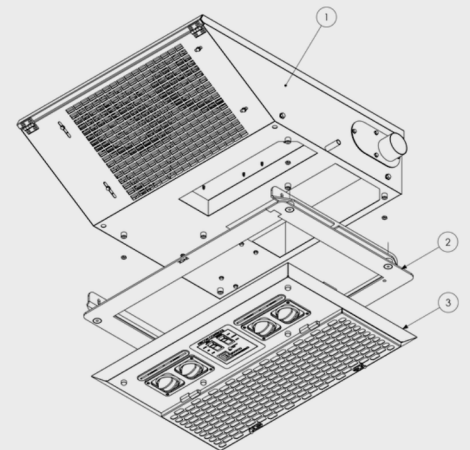
TOP



REAR



SIDE



ISOMETRIC

