



# B012 MK1 24V CONDENSING UNIT

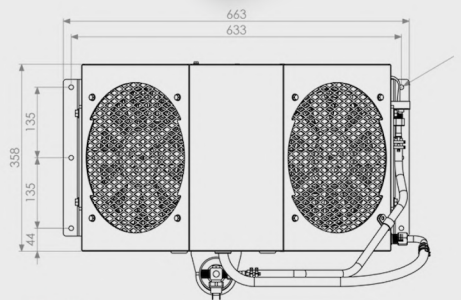
Compact condensing unit with integrated 24V electric compressor engineered to provide efficient cooling for heavy-duty vehicles.

## SYSTEM SPECIFICATIONS:

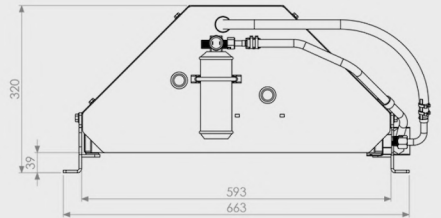
- Cooling Capacity: 3.5 kW (ISO 5151, T3)
- Condensing Capacity: 9.5 kW (ISO 5151, T3)
- Maximum Ambient: 46°C
- Air Flow Rate: 1 440 m<sup>3</sup>/h
- Power Supply: 24 VDC
- Current Draw: 91 A
- Mass: 20 kg
- Overall Size: 663L x 432W x 320H (mm)

## SYSTEM DESCRIPTION:

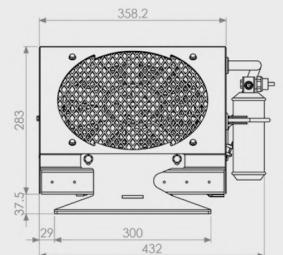
- Rugged, compact condensing unit
- Adjustable speed scroll compressor with 24 VDC brushless motor
- Receiver drier with integrated low/high pressure switch
  - Choice of 3 standard colours: teal, black or white (non-standard colours available on request)
- Easy installation with replacement parts readily available
- Suitable for use with A009 or A014 evaporator units
- Also available in 12VDC and 72 VDC versions



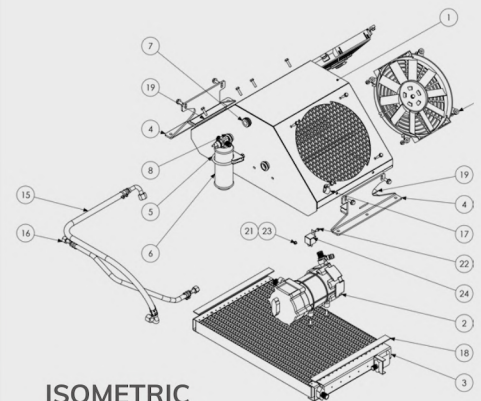
TOP



FRONT



SIDE



ISOMETRIC