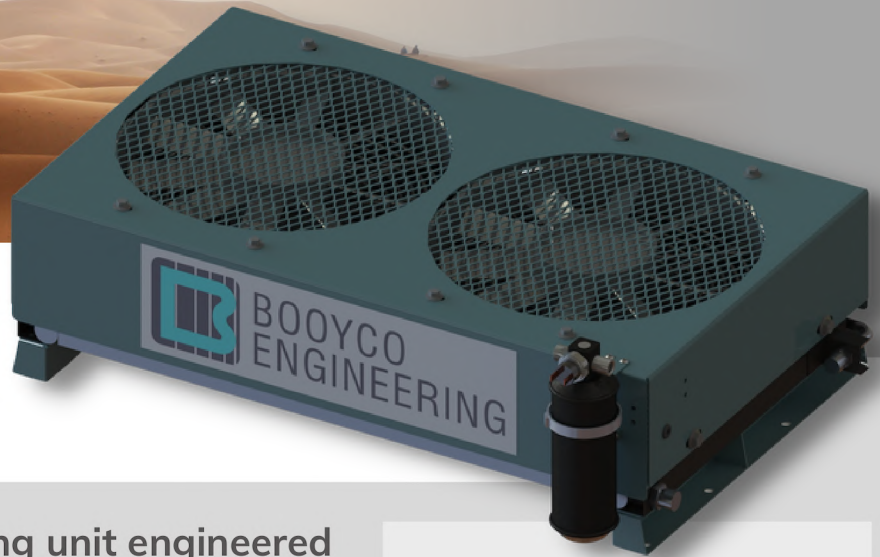


B011 MK1 24V CONDENSING UNIT



Integrated fan and coil condensing unit engineered to provide efficient cooling for heavy-duty vehicles.

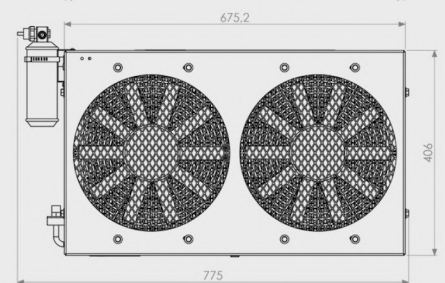
SYSTEM SPECIFICATIONS:

- Condensing Capacity: 14 kW (ISO 5151, T3)
- Maximum Ambient: 46°C
- Air Flow Rate: 1 944 m³/h
- Power Supply: 24 VDC
- Current Draw: 8 A
- Mass: 13.5 kg
- Overall Size: Vertical Mount: 775L x 188W x 455H (mm)
Horizontal Mount: 716L x 485W x 235H (mm)

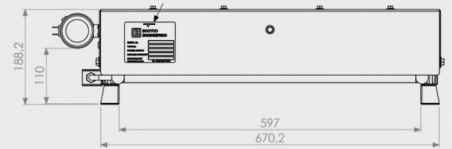
SYSTEM DESCRIPTION:

- Rugged, compact condensing unit
- Receiver drier with integrated low/high pressure switch
- Vertical or horizontal mount
- Powder coated, 1.6 mm, mild steel fabrication for durability under harsh environmental conditions
 - Choice of 3 standard colours: teal, black or white (non-standard colours available on request)
- Easy installation with replacement parts readily available
- Suitable for use with A004, A015, A016 or A018 evaporator units
- Also available in 12VDC version

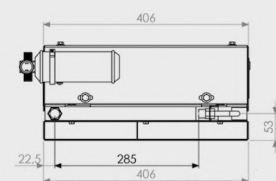
VERTICAL MOUNT CONFIGURATION



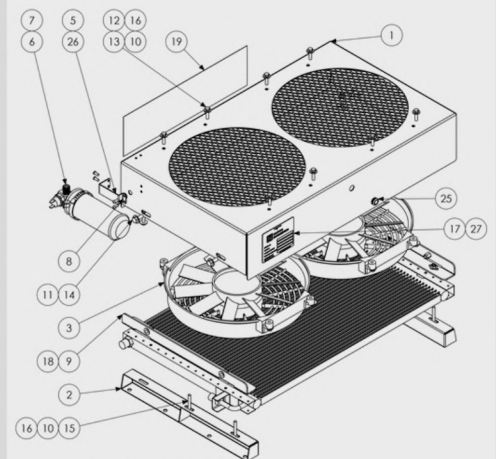
FRONT



BOTTOM



SIDE



ISOMETRIC

