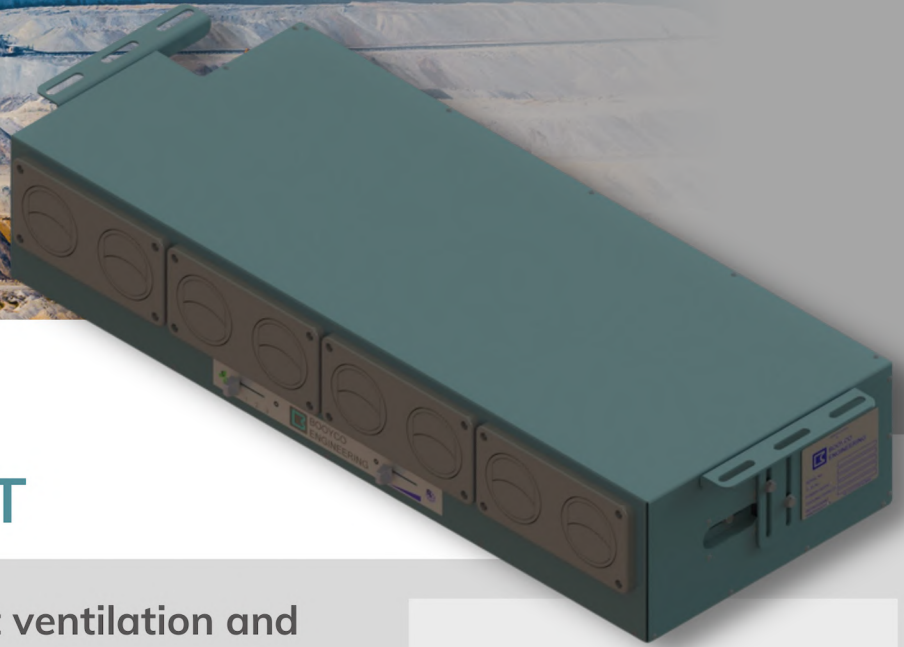




A016 MK1 24V EVAPORATOR UNIT



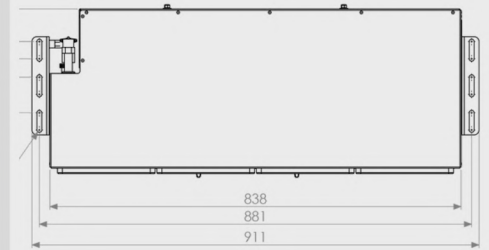
Engineered to provide efficient ventilation and cooling for heavy-duty vehicles.

SYSTEM SPECIFICATIONS:

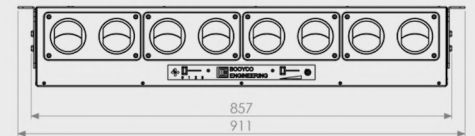
- **Cooling Capacity:** 8 kW (ISO 5151, T3)
- **Air Flow Rate:** 930 m³/h
- **Power Supply:** 24 VDC
- **Current Draw:** 11 A
- **Mass:** 20 kg
- **Overall Size:** 911L x 352W x 163H (mm)

SYSTEM DESCRIPTION:

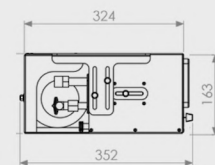
- Rugged, compact and cost effective 24VDC evaporator unit
- Integrated control panel with temperature control
 - Ventilation/cooling modes and 3 fan speeds
- Adjustable supply air louvers
- Powder coated, 1.6 mm, mild steel fabrication for durability under harsh environmental conditions
 - Choice of 3 standard colours: teal, black or white (non-standard colours available on request)
- Easy installation with replacement parts readily available
- Suitable for use with B011 condenser unit
- Also available in 12VDC version



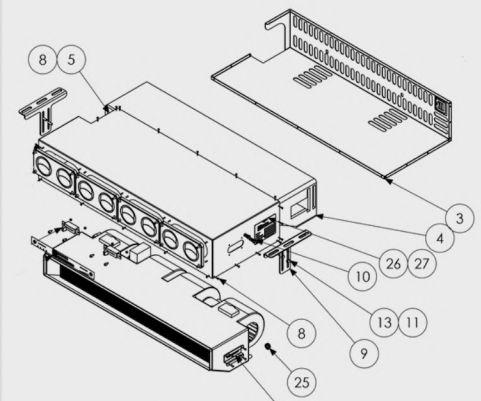
TOP



FRONT



SIDE



ISOMETRIC

