

A015 MK1 24V EVAPORATOR UNIT

Engineered to provide efficient ventilation and cooling for heavy-duty vehicles

SYSTEM SPECIFICATIONS:

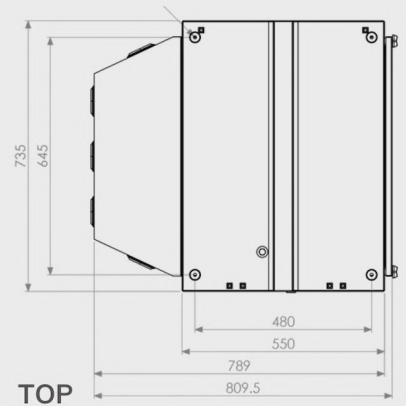
- **Cooling Capacity:** 8 kW (ISO 5151, T3)
- **Maximum Ambient:** 46°C
- **Air Flow Rate:** 900 m³/h
- **Power Supply:** 24 VDC
- **Current Draw:** 13.5 A
- **Mass:** 35 kg
- **Overall Size:** 809L x 735W x 312H (mm)

SYSTEM DESCRIPTION:

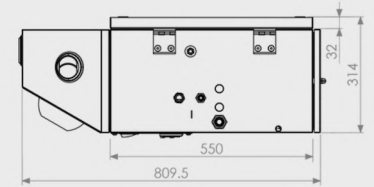
- Rugged, compact 24VDC evaporator unit
- Integrated control panel
 - Ventilation/cooling modes and 3 fan speeds
 - Refrigerant fault indicator LED
- Adjustable supply air louvers
- Powder coated, 2 mm, mild steel fabrication for durability under harsh environmental conditions
 - Choice of 3 standard colours: teal, black or white (non-standard colours available on request)
- Integrated return air filter
 - Non-woven, washable, toolless access
- Easy installation with replacement parts readily available
- Suitable for use with B011 condenser unit

OPTIONAL EXTRAS:

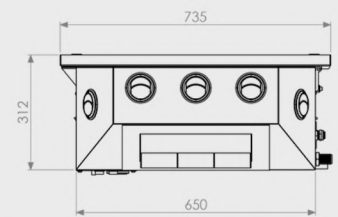
- Heating Mode - Heating Capacity: 6 kW
 - Hot water coil supplied with warm coolant from vehicle engine
 - Integrated solenoid valve to control flow of coolant
 - Optional hot water circulation booster pump
- Supply air plenum for flexible ducting
 - Replaces supply air plenum with louvres
 - Spigots to connect flexible ducting
- Remote mount control panel



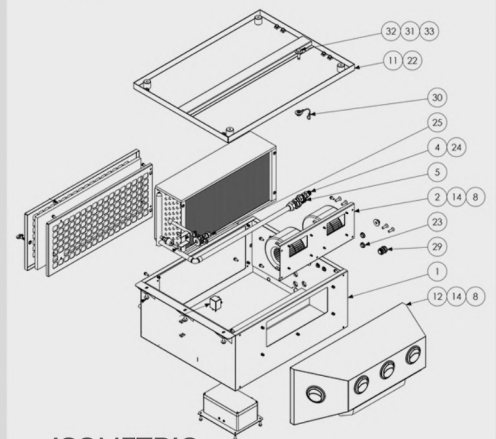
TOP



SIDE



FRONT



ISOMETRIC

