



A009 MK2 24V EVAPORATOR UNIT

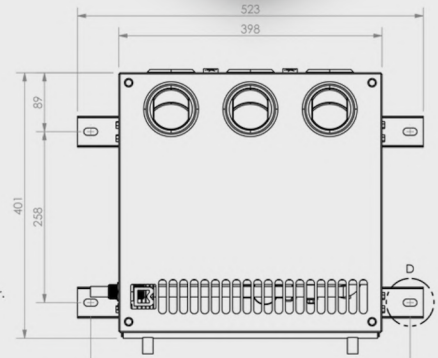
Engineered to provide efficient ventilation and cooling for heavy-duty equipment vehicles.

SYSTEM SPECIFICATIONS:

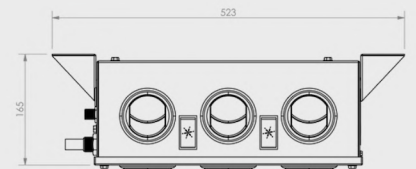
- **Cooling Capacity:** 4 kW (ISO 5151, T3)
- **Air Flow Rate:** 468 m³/h
- **Power Supply:** 24 VDC
- **Current Draw:** 8 A
- **Mass:** 14.5 kg
- **Overall Size:** 392L x 403W x 155H (mm)

SYSTEM DESCRIPTION:

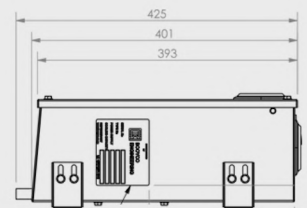
- Rugged and ultra compact evaporator unit
- Integrated control panel
 - Ventilation/cooling modes and 3 fan speeds
- Adjustable supply air louvers
- Powder coated, 1.6 mm, mild steel fabrication for durability under harsh environmental conditions
 - Choice of 3 standard colours: teal, black or white (non-standard colours available on request)
- Easy installation with replacement parts readily available
- Suitable for use with B009 or B012 condensing units
- Also available in 12VDC version



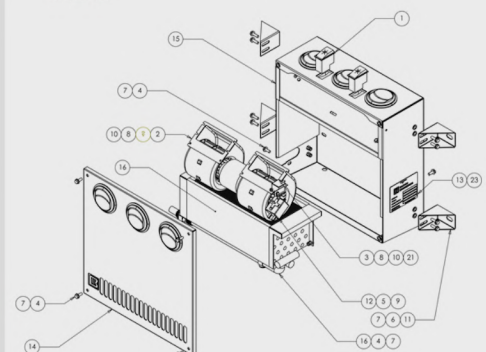
FRONT



TOP



SIDE



ISOMETRIC

