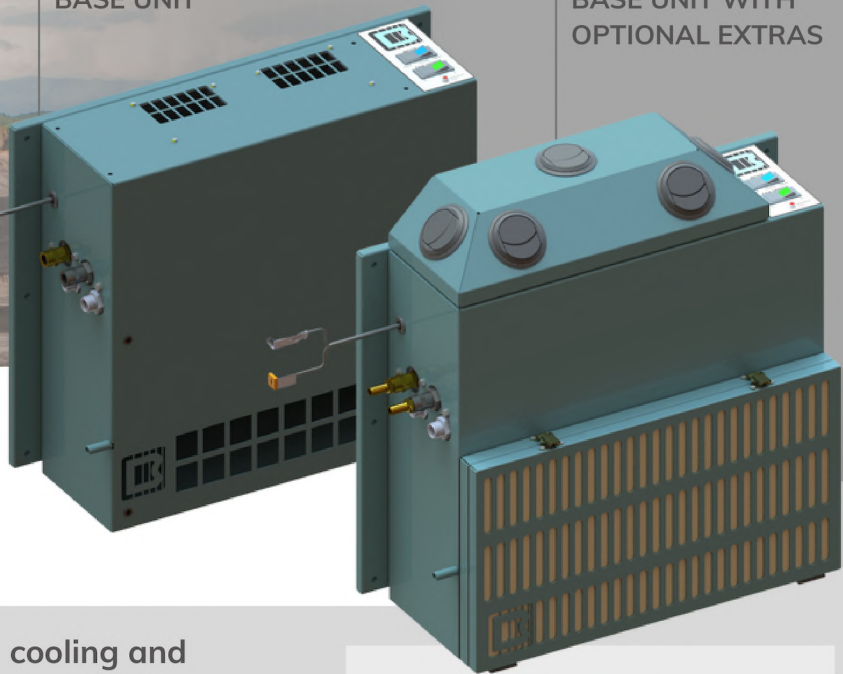




BASE UNIT

BASE UNIT WITH OPTIONAL EXTRAS

# A004G MK3 24V EVAPORATOR UNIT



Engineered to provide efficient ventilation, cooling and heating for heavy-duty vehicles.

## SYSTEM SPECIFICATIONS:

- **Cooling Capacity:** 6 kW (ISO 5151, T3)
- **Heating Capacity:** 3 kW (ISO 5151, H2)
- **Air Flow Rate:** 648 m<sup>3</sup>/h
- **Power Supply:** 24 VDC
- **Current Draw:** 9 A
- **Mass:** 18 kg
- **Overall Size:** 525H x 645W x 210D (mm)

## SYSTEM DESCRIPTION:

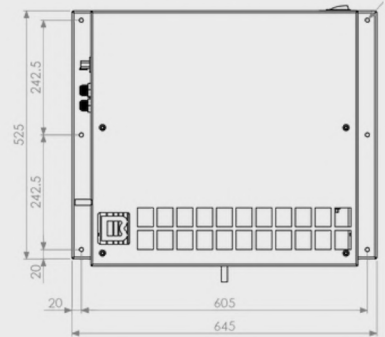
- Rugged and compact air handling unit
- Vertical or horizontal mount
- Integrated control panel
  - Ventilation/cooling/heating modes and 2 fan speeds
- Heating Mode - Heating Capacity: 3 kW
  - Hot water coil supplied with warm coolant from vehicle engine
  - Integrated solenoid valve to control flow of coolant
  - Optional hot water circulation booster pump
- Powder coated, 2.0/1.6 mm, mild steel fabrication for durability under harsh environmental conditions
  - Choice of 3 standard colours: teal, black or white (non-standard colours available on request)
- Easy installation with replacement parts readily available
- Suitable for use with B011 & B013 condenser units
- Also available in 12VDC version, and Ventilation and Cooling version (A004 Mk3 24V)

## OPTIONAL EXTRAS:

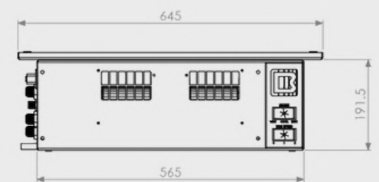
- Return air filter:
  - Fits over return air grille, Non-woven, washable filter (EN 779, G3)
- Louvre plenum box
  - Fits to top of unit, with adjustable supply air louvres or spigots to connect flexible ducting
- Remote mount control panel



BASE UNIT



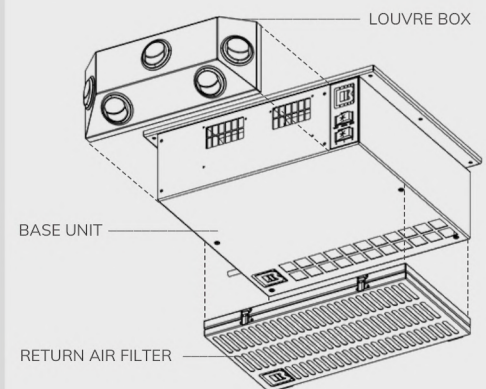
FRONT



TOP



SIDE



ISOMETRIC