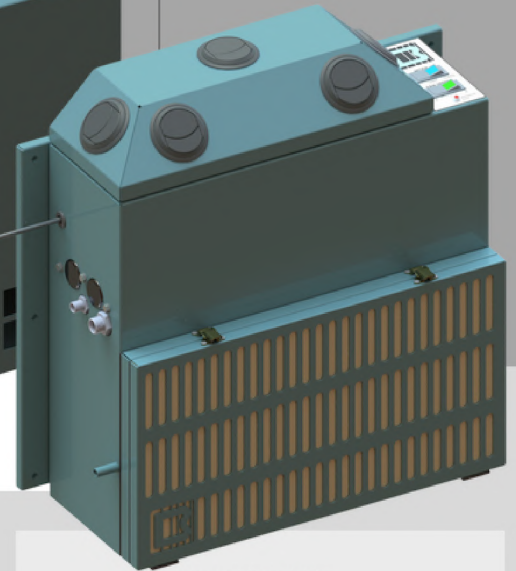




BASE UNIT



BASE UNIT WITH OPTIONAL EXTRAS



A004 MK3 24V EVAPORATOR UNIT

Engineered to provide efficient ventilation and cooling for heavy-duty vehicles.

SYSTEM SPECIFICATIONS:

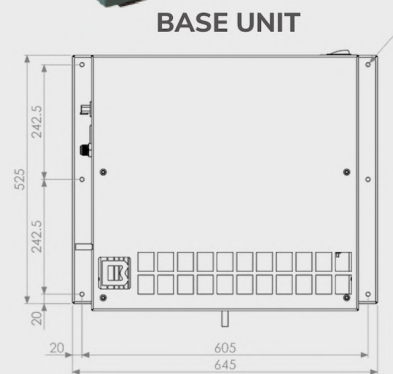
- **Cooling Capacity:** 6 kW (ISO 5151, T3)
- **Air Flow Rate:** 648 m³/h
- **Power Supply:** 24 VDC
- **Current Draw:** 9 A
- **Mass:** 18 kg
- **Overall Size:** 525H x 645W x 210D (mm)

SYSTEM DESCRIPTION:

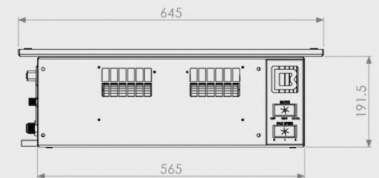
- Rugged and compact air handling unit
- Vertical or horizontal mount
- Integrated control panel
 - Ventilation/cooling modes and 3 fan speeds
- Powder coated, 2.0/1.6 mm, mild steel fabrication for durability under harsh environmental conditions
 - Choice of 3 standard colours: teal, black or white (non-standard colours available on request)
- Easy installation with replacement parts readily available
- Suitable for use with B011 & B013 condenser units
- Also available in 12VDC version, and Ventilation, Cooling and Heating version (A004G Mk3 24V)

OPTIONAL EXTRAS:

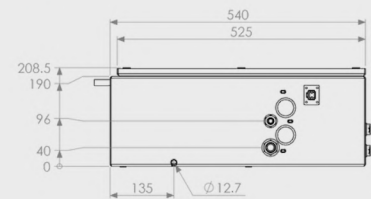
- Return air filter:
 - Fits over return air grille, Non-woven, washable filter (EN 779, G3)
- Louvre plenum box
 - Fits to top of unit, with adjustable supply air louvres or spigots to connect flexible ducting
- Remote mount control panel



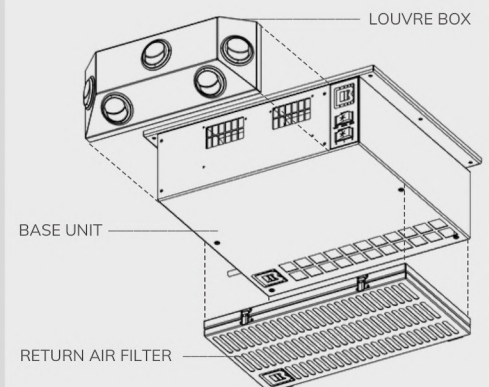
FRONT



TOP



SIDE



ISOMETRIC

